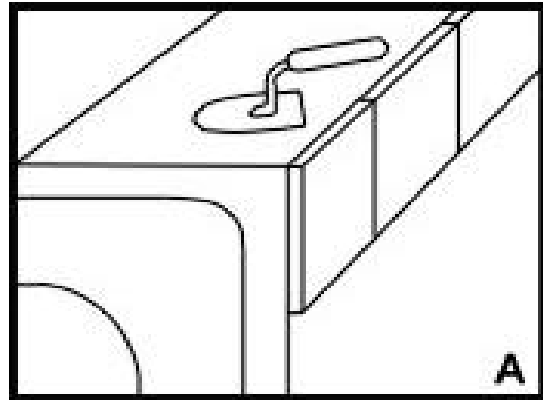


URETHANE MASTIC SYSTEM

1. Tile Setting Requirements

- Tile must be set from the high point of the bond beam.
- The remainder of the bond beam must be leveled with the top of the tile so that expansion and contraction of the deck does not disturb the tile. (see fig. A)

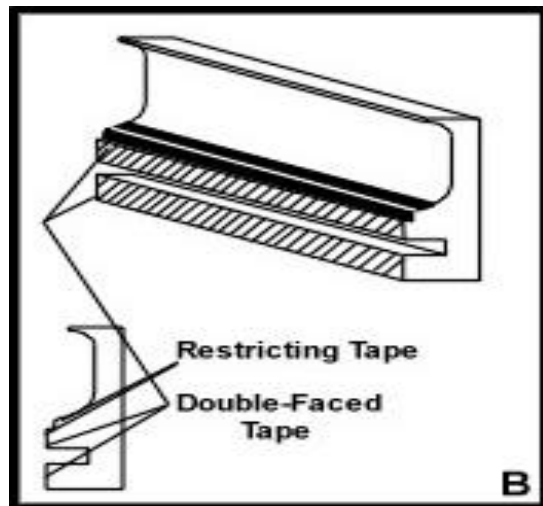


2. Before Setting Cantilever Form

STOP

You must check:

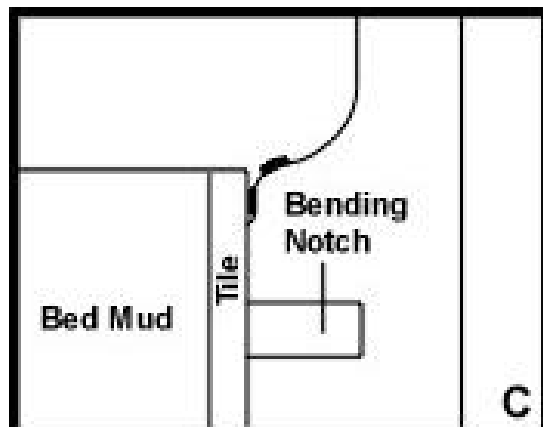
- Tile must be dry and free of dust.
- Tile bed mud must be dry.
- Scrape the top of the tile to clean away any debris which could cause waterstop to fit unevenly around the perimeter. (see fig. A)



3. Setting the Form

- Remove the brown paper from the double-faced tape.
- Stick forms to the tile, placing the top of the LOWER restricting tape even with the top of the tile. (see fig. B and C)
- Sharp corners may be mitered with a sharp knife.

Pre-Bending See Pg.# 16 (Figure B)



Regular

Pat. No. 3,967,422

Part # 120UR3

CARTON INCLUDES:

112' REGULAR FORM
112' BLACK TEAR STRIP
Pat. No. 3,967,422
Part # 220UR3

FORM MAY BE ORDERED WITHOUT TEAR STRIP
OR URETHANE SIDE KIT.
TEAR STRIPS MAY BE ORDERED IN VARIOUS
COLORS THEREFORE PART # IS SUBJECT TO
CHANGE.

Intermediate

Pat. No. 3,967,422

Part # 220UR3

CARTON INCLUDES:

112' INTERMEDIATE FORM
112' BLACK TEAR STRIP
1 URETHANE SIDE KIT
1 INSTRUCTION SHEET

FORM MAY BE ORDERED WITHOUT TEAR
STRIP OR URETHANE SIDE KIT.

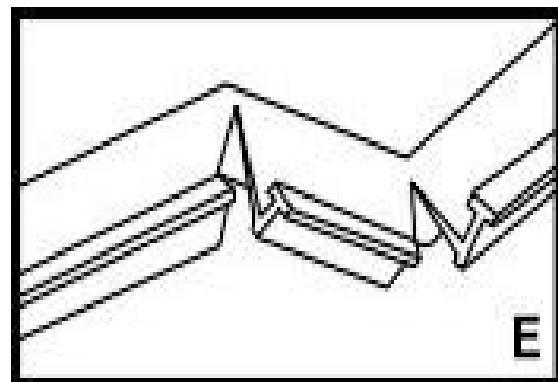
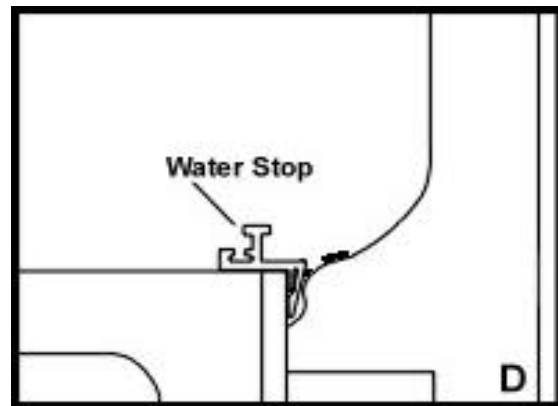
**Also available in
Commercial Profile.**

4. Placing the Waterstop

Press waterstop into the slot provided
Between the tile and form. (See fig. D)

Helpful Hints to Remember

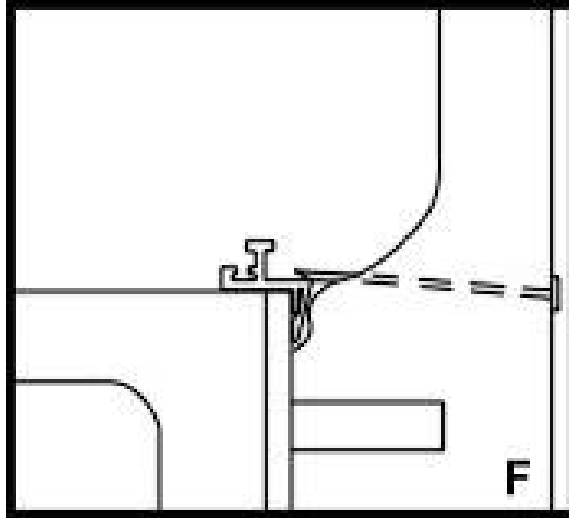
- In square corners and tight radii, it may be helpful to notch the back of the waterstop to allow for bending. (See fig. E)
- Pruning shears are a useful tool for notching the waterstop.
- The end of the waterstop may be held more securely by inserting a 10-penny nail. (See fig. F)
- #15 LB Roofing Paper (See fig. B)



5. Mixing Urethane Mastic

STOP
DO NOT PRY LID OFF SETTING AGENT CAN.

- Check all forms and waterstop prior to mixing, as a 20 MINUTE POT LIFE of mastic leaves little time for later correction.
- Prepare the application bottle first. Using a knife, cut off 1/8 inch of the applicator cap. Set cap and bottle aside.
- Using a can opener, cut the bottom out of the setting agent can. This allows you to pour EVERY drop of the setting agent into the base.
- Scrape bottom and sides while mixing. Whip like cake batter for one minute ONLY, then pour into the applicator bottle.



6. Application of Urethane Mastic

- By dragging the applicator, pour a small bead of mastic between the waterstop and form. (See fig. G)
- After pouring the remainder of mastic into the applicator bottle, cut the tip of applicator cap off to approximately one-half.
- Pour remainder of mastic into the back of the waterstop, allowing it to spill over onto the tile bed mud. (See fig. G) Wipe excess mastic off waterstop. (See fig. H)
- Urethane mastic is now bonding the form to the waterstop and the waterstop to the tile bed mud. (See fig. H)
- Wait two hours before pouring the concrete deck; or, more convenient, set your forms the day before. It is very important to separate your cantilever deck from the tile bed mud by using 15 lb. felt (or like material). Failure to do so could cause broken tile due to expansion and Contraction of the deck.

Pour Mastic As Rapidly As Possible

